

4

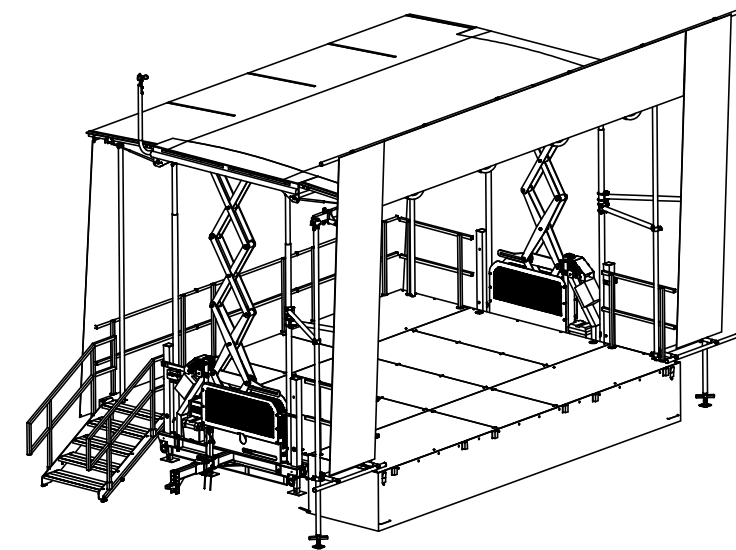
3

2

1

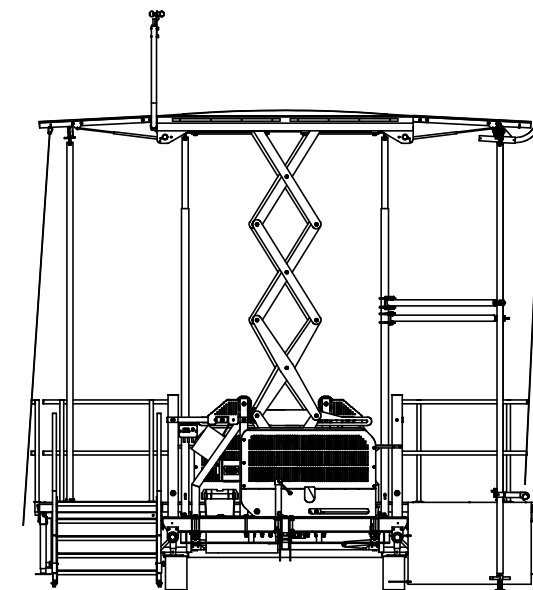
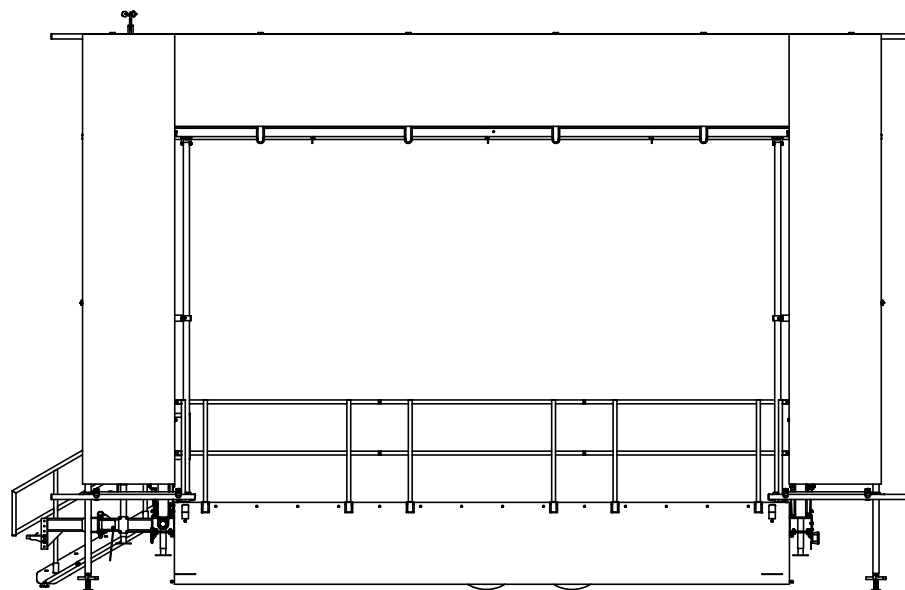
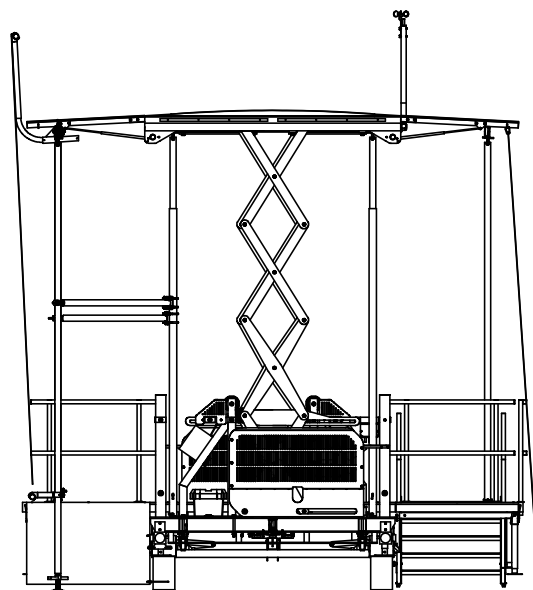
B


B



A

A



REV	DATE	ECO#	DESCRIPTION	DRAWN	GPH	8/9/2023	TITLE:				
				CHECKED			ASTRA MODEL LP-2016				
				APPROVED							
				SCALE	NONE						
				SHEET	1 OF 1						
				MATERIAL			DWG. NO.		LP-2016	REV.	0
				COMPANY	N/A						
<p>This material is the property of Progressive Astra Stages, LLC and should not be reproduced, published, or disclosed to others without authorization. The material shall not be used in any way against or detrimental to Astra Stages, LLC, Pittsburg, KS. All rights reserved.</p>				<p>ASTRA STAGES, LLC 3303 AIRPORT CIRCLE PITTSBURG, KS 66762 P: (620)-704-9986 F: (620)-235-1772</p>						SIZE	B

4

2

1